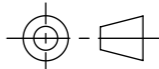



		DATE		TITLE:	
DRAWN	Pleuni Bongers	7-6-2022		MOPN.2300	
REVISION	Dorus Bannenber	9-11-2022	Drawing. MOPN.2300		
			Liessentstraat 4, 5405 AG Uden (NL). † 0031 (0)413 - 27 41 68. e info@furns.nl, i www.furns.nl		A3
Color:	-	Mass(kg): 306.47	SCALE:1:25	SHEET 1 OF 10	